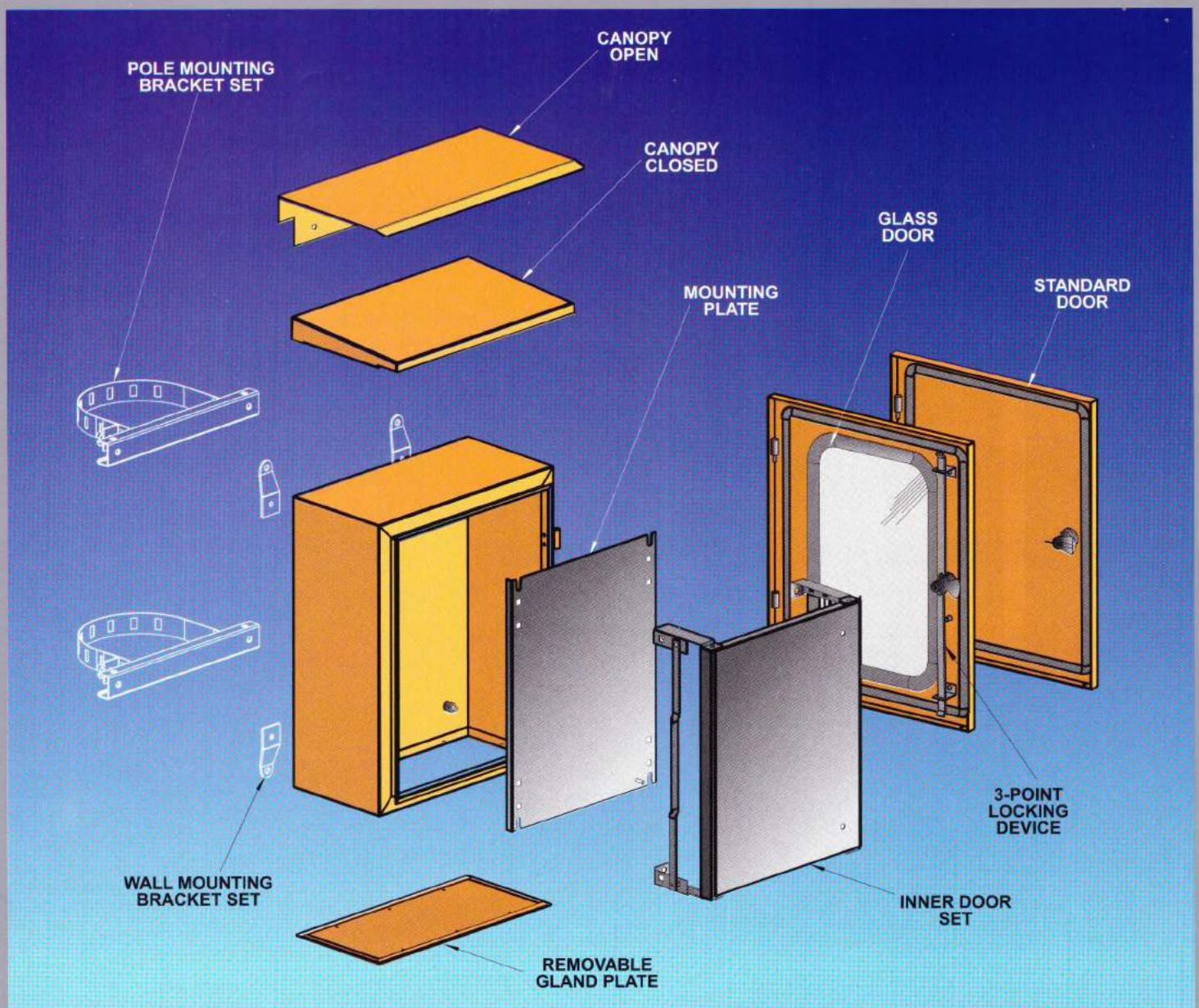


industrial enclosures



ENCLOSURE & ACCESSORIES

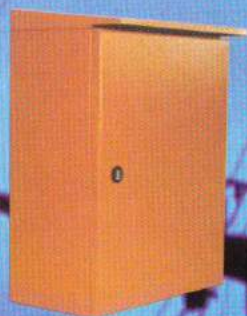


The Perano and Dolphin series are superb, versatile and highly adaptable enclosures. With clear advantages in quality, engineering, range and availability. These enclosures are suitable for electrical, electronic, hydraulic, pneumatic and various applications in all industries. Enclosures are manufactured with a folded channel that provides stability and protection against dust and water. Doors are with a continuous extruded Polyurethane Gasket, and concealed hinges.

Mounting Plates are fitted to all enclosures. Locks are standard 6mm square drive. Various locks from the Perano range can be fitted on request. A range of Accessories complementing these Enclosures are available. All Enclosures are Pretreated before Powder Coating. Standard colours are RAL 7032 Grey and B 26 Orange Textured Finish. On request we can provide special colours and finishes subject to availability.

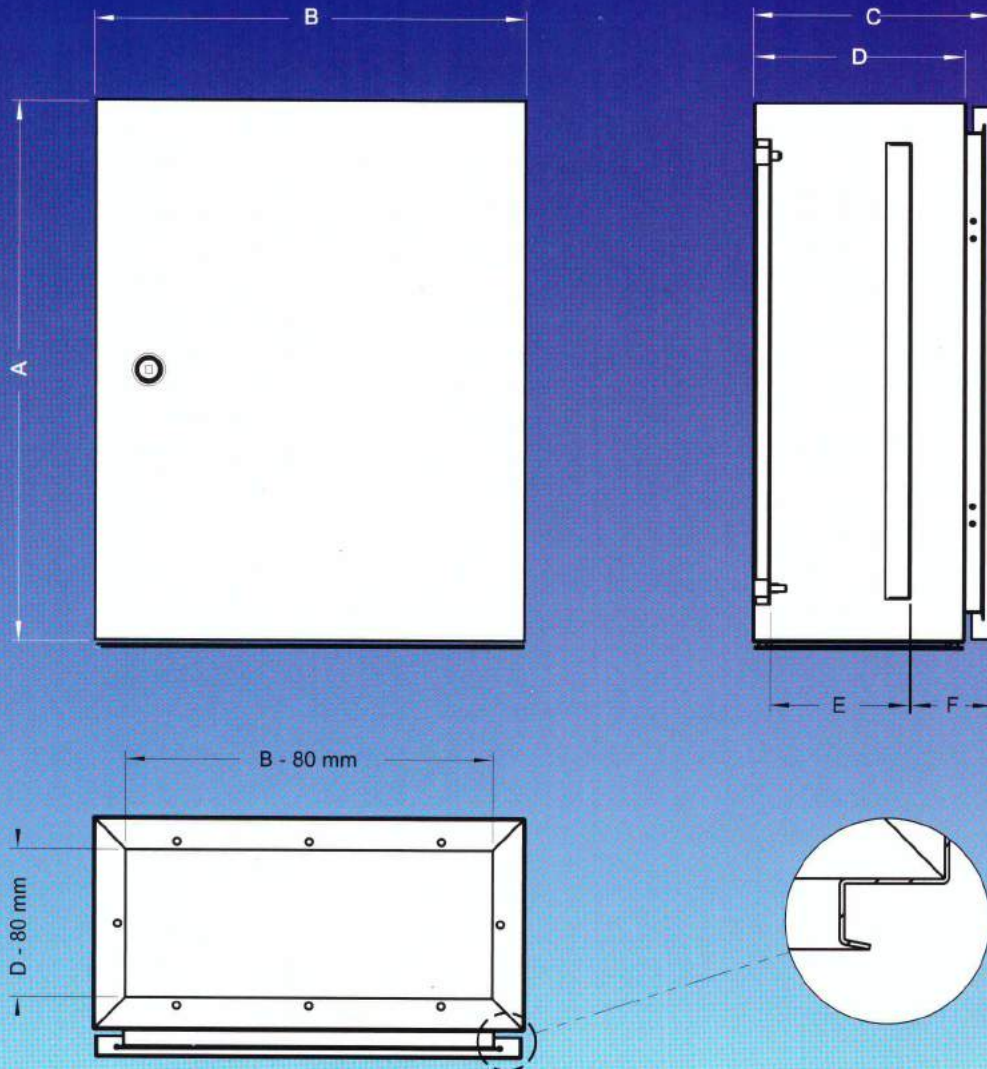
PERANO & DOLPHIN SERIES ENCLOSURES

World Power Products superior technical ability, competence, reliability and service is the underlying basis that enables us to manufacture enclosures that meet customers requirements with optimum quality in all processes of manufacturing that conforms to ISO 9001-2000 Quality Management requirements.





PERANO SERIES

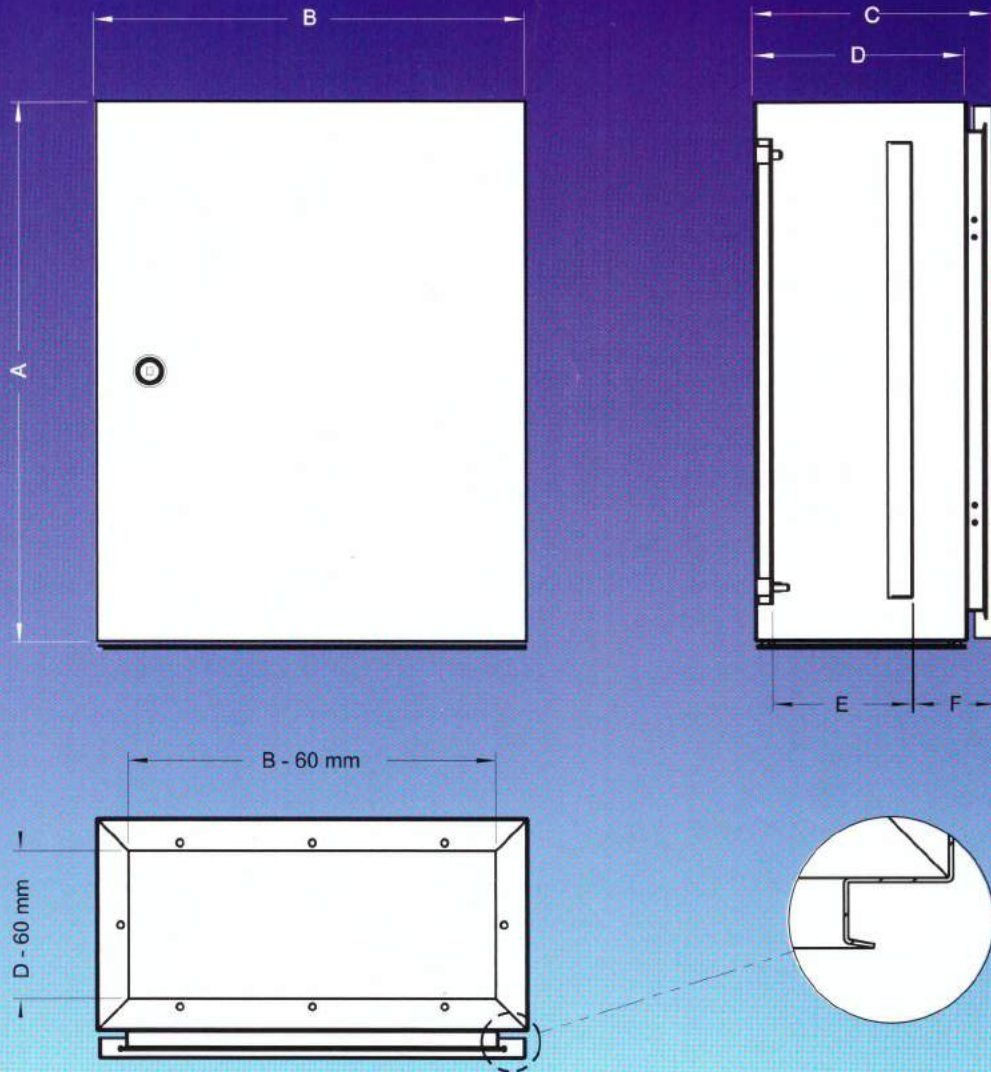


REFERENCE		EXTERNAL DIMENSIONS				GLASS DOOR VIEWING AREA		MOUNTING PLATE		INTERNAL DOOR			
IP55 MILD STEEL WITH GLAND PLATE	IP55 MILD STEEL NO GLAND PLATE	A	B	C	D	H	W	H	W	H	W	E	F
			200	175	250	170	150	N/A		190	115	N/A	
101	201	350	250	170	150	164	104	290	190	N/A			
102	202	450	300	220	200	314	129	390	240	370	220	131	72
103	203	550	400	220	200	364	214	490	340	470	320	131	72
104	204	650	450	270	250	464	264	590	390	570	370	181	72
105	205	750	550	270	250	564	364	690	490	670	470	181	72
106	206	950	700	270	250	764	514	890	640	870	620	181	72
107	207	1150	850	270	250	964	664	1090	790	1070	770	181	72

Perano Enclosures are manufactured in cold rolled mild steel.
Conforms to an ingress rating of IP55.



DOLPHIN SERIES



REFERENCE

IP55 3CR12 NO GLAND PLATE	IP65 3CR12 WITH GLAND PLATE	IP65 304ST/ST WITH GLAND PLATE	IP65 316ST/ST WITH GLAND PLATE	EXTERNAL DIMENSIONS				GLASS DOOR VIEWING AREA		MOUNTING PLATE		INTERNAL DOOR			
				A	B	C	D	H	W	H	W	H	W	E	F
551	651	3041	3161	350	250	170	147			280	180	N/A			
552	652	3042	3162	400	300	220	197	280	130	330	230	N/A			
553	653	3043	3163	500	400	220	197	380	220	430	330	420	330	130	72
554	654	3044	3164	600	400	220	197	470	220	530	330	520	330	130	72
555	655	3045	3165	600	500	220	197	470	320	530	430	520	430	130	72
556	656	3046	3166	700	600	270	247	570	420	630	530	620	530	180	72
557	657	3047	3167	800	600	270	247	670	420	730	530	720	530	180	72
558	658	3048	3168	900	700	320	297	770	520	830	630	820	630	230	72
559	659	3049	3169	1000	800	320	297	870	620	930	730	920	730	230	72

Dolphin Enclosures are manufactured in 3CR12,304 and 316 Stainless Steel.
Conforms to ingress ratings of IP55 and IP65.